

**CAUTION!** Installation and connection should only be carried out by a qualified person and in accordance with national wiring regulations.

- Before commencing any work on the electrical connections, you must first disconnect the timeswitch from the mains. None of the 230V connections must be live until the installation has been completed and the housing is closed. Only qualified electricians or authorised service staff are permitted to open the timeswitch. Disconnect from mains supply in the event of any damage to any buttons.
- There are parts that carry mains voltage behind the cover. The timeswitch must not be left unsupervised when open. (Prevent non specialists and especially children from gaining access to it.)
- If the timeswitch is used in a way not specified by the manufacturer, its safety may be impaired.
- Prior to setting the timeswitch, it is necessary to complete all required settings described in this section.
- Never remove this product from the electrical baseplate. Do not use sharp tools to push any button.

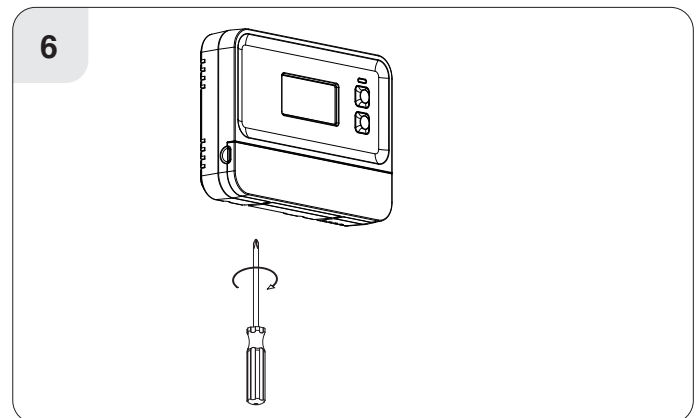
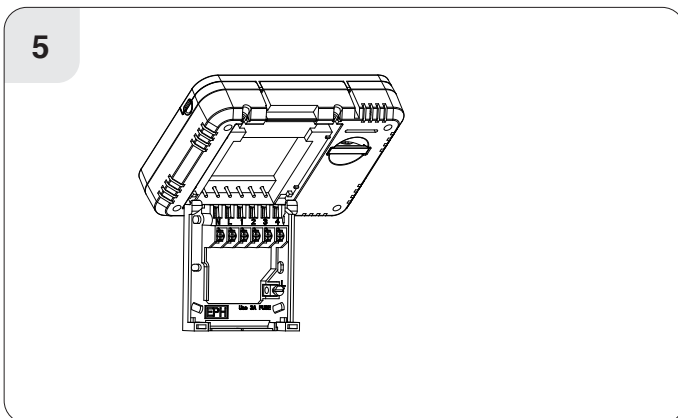
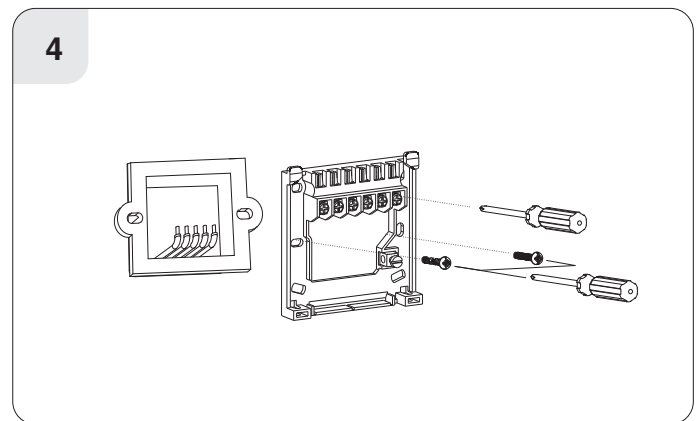
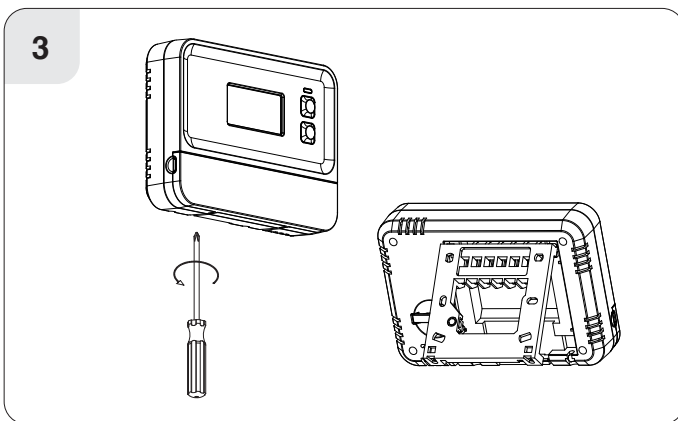
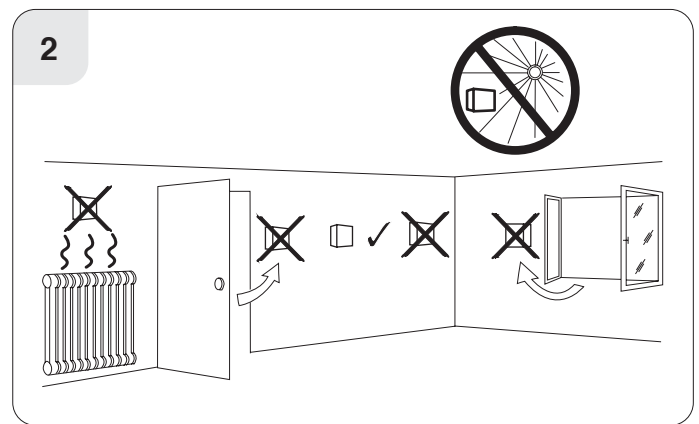
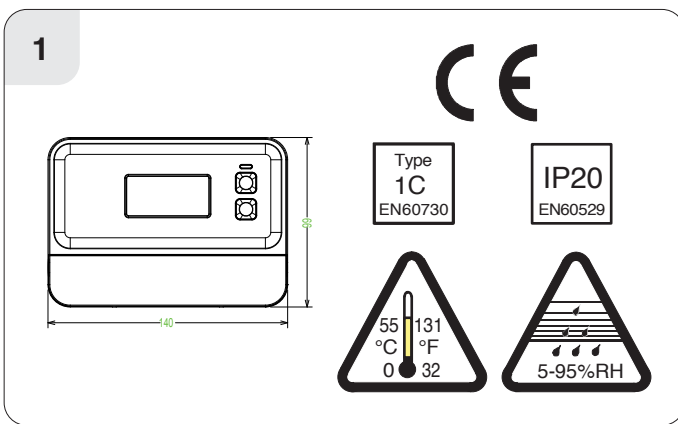


**Important: Keep this document**

This timeswitch is designed to provide ON/OFF control for 1 zone, with the value added application of in built frost protection.



This timeswitch can be mounted in the following ways: 1. Directly wall mounted 2. Mounted to a recessed conduit box





### Contents

1. Factory default settings
2. Specifications & wiring

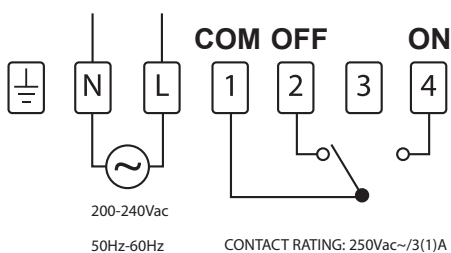
### 1. Factory default settings



Contacts:	Volt free contact
Program:	5/2D
Backlight:	On
Keypad:	Unlocked
Clock type:	24 Hr Clock
Day-Light Saving	

### 2. Specifications & wiring

Power Supply:	230 Vac, 50-60 Hz, 8 VA
Ambient Temp:	0~35°C
Contact Rating:	250 Vac 3(1)A
Program Memory backup:	3 months
Battery:	3Vdc CR2032
Backlight:	Blue
IP rating:	IP20
Backplate:	British System Standard
Pollution degree:	2
Rated Impulse Voltage:	2,500V as per EN 60730
Automatic Action:	Type 1.C
Software:	Class A
Ball Pressure Test Temperature:	70°C



*If mains voltage output is required, terminals L & 1 must be electrically linked. The cable link is provided with this timeswitch.*