

### Contents

1. Factory default settings
2. Specification & wiring
3. Mounting
4. Installation
5. Button / symbol description
6. Resetting the thermostat
7. On / Off function
8. Lock function
9. To connect the RFRA thermostat to the RF1 receiver
10. To disconnect the RFRA thermostat from the RF1 receiver



**Important: Keep this document**

Prior to setting the thermostat, it is necessary to complete all required settings described in this section.



**CAUTION!**

Only qualified electricians or authorised service staff are permitted to open the thermostat.

Ensure that this wireless enabled thermostat is installed 1 metre from any metallic object, television, radio or wireless internet transmitter.

### 1. Factory default settings



Temperature indicator:	°C
Switching differential:	0.2°C
In built frost protection:	5°C
Keypad lock:	Off

### 2. Specifications & wiring

Power Supply:	2 x AAA Alkaline Battery
Power consumption:	50 uA
Battery replacement:	Once per year
Temp. Control Range:	5...35°C
Dimensions:	84 * 84 * 30mm
Temp. sensor:	NTC 10K Ohm @ 25°C
Temp. indication:	°C

### 3. Mounting

The mounting height should be 1.5 meters above the floor level. The thermostat should be wall mounted in the room where the heating is to be controlled.

The place of installation should be chosen so that the sensor can measure the room temperature as accurately as possible.

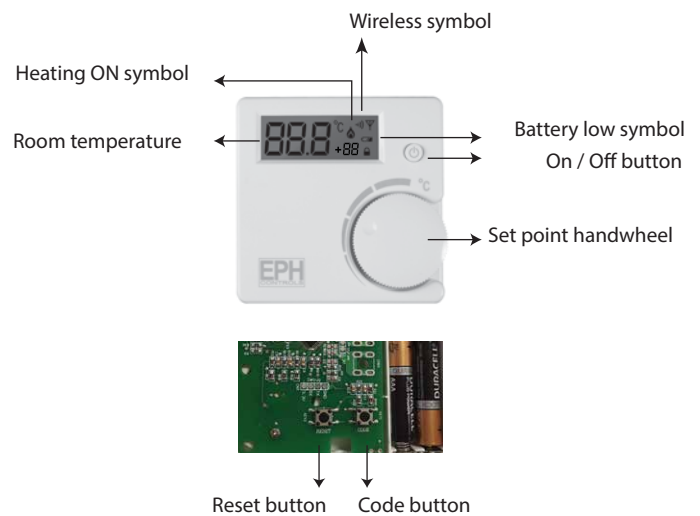
Choose the mounting location to prevent direct exposure to sunlight or other heating / cooling sources when mounted.

- The unit can be fitted to:
1. Recessed conduit boxes
  2. Surface mounting boxes
  3. Directly on walls
  4. Table mounting with stand provided

### 4. Installation

Press the button on the bottom of the thermostat.  
 The front housing will detach from the baseplate.  
 Insert the batteries (provided) into the thermostat.  
 Mount the unit as described in section 3.  
 Offer the baseplate up to the thermostat. Snap it into position to close.

### 5. Button / symbol description



### 6. Resetting the thermostat

Press the button on the bottom of the thermostat, the front housing will detach from the baseplate.

Insert the batteries into the thermostat.

Press the reset button on the PCB, 'NO' will flash on the screen.

Rotate the hand wheel clockwise until 'YES' appears on the screen.

Press the hand wheel once to confirm the setting.

The thermostat has now been reset and the current temperature will appear on the screen.

### 7. On / Off function

By pressing the On / Off button, this turns the thermostat on and off.

### 8. Lock function

To lock the thermostat, press the hand wheel for 10 seconds.

symbol will appear on the screen.

To unlock the thermostat, press the hand wheel for 10 seconds.


symbol will disappear from the screen.

### 9. To connect the RFRA thermostat to the RF1 receiver

#### On the front of the RF1 receiver

Press the connect button. The "System On" green LED will begin to flash.

#### On the RFRA thermostat

Press the  button on the bottom of the thermostat, the front housing will detach from the baseplate.

Press the CODE button on the printed circuit board.

When r1 appears on the screen, press the hand wheel once.

The thermostat is now connected to the receiver.

### 10. To disconnect the RFRA thermostat from the RF1 receiver


#### On the RF1 receiver

Press the reset button on the right side of the housing.

Within 2 seconds, press the connect button.

The RF1 receiver is now disconnected from the RFRA thermostat.

#### On the RFRA thermostat

Press the  button on the bottom of the thermostat, the front housing will detach from the baseplate.

Press the RESET button on the printed circuit board.

"NO" will flash on the screen.

Rotate the hand wheel clockwise until "YES" appears on the screen.

Press the hand wheel once to confirm the setting.

The thermostat is now disconnected from the receiver.