

CAUTION! Installation and connection should only be carried out by a qualified person and in accordance with national wiring regulations.

- Before commencing any work on the electrical connections, you must first disconnect the thermostat from the mains.
- None of the 230V connections must be live until the installation has been completed and the housing is closed.
- If the thermostat is used in a way not specified by the manufacturer, its safety may be impaired.
- Verify that the thermostats technical data (Power supply, Contact rating, etc..) are suitable to the installation conditions.



DBS - P



DBS



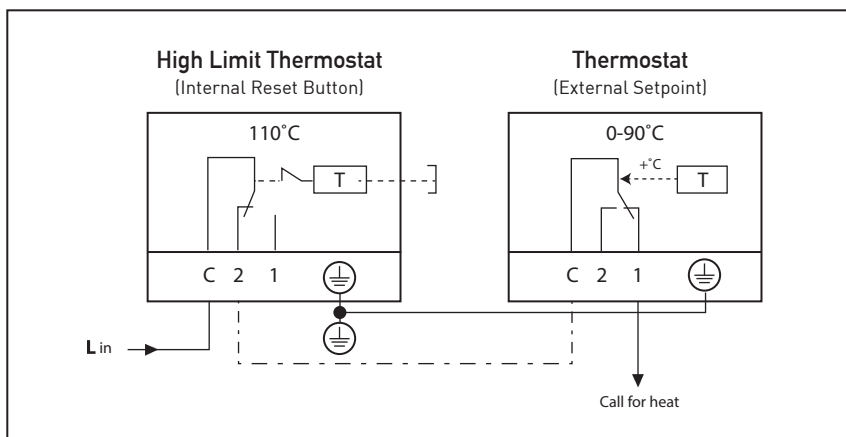
Important: Keep this document

Technical Data

PRODUCT CODE	PRODUCT NAME	CONTACT	SENSOR TYPE	IP RATING	SWITCHING ADJUSTMENT	SWITCH RATING	TEMPERATURE LIMIT ENTIRE PRODUCT
DBS	Dual Thermostat with pocket	SPDT	Liquid filled	IP40	External	16(4)A 240Vac	110 °C
DBS-P	Dual Thermostat without pocket	SPDT	Liquid filled	IP40	External	16(4)A 240Vac	110 °C

TEMPERATURE RANGE		SWITCHING DIFFERENTIAL		TEMP. ACCURACY (TOLERANCE)		CONTACT RATING	
HIGH LIMIT STAT	THERMOSTAT	HIGH LIMIT STAT	THERMOSTAT	HIGH LIMIT STAT	THERMOSTAT	HIGH LIMIT STAT	THERMOSTAT
110 °C	0 ... 90 °C	Manual reset (after temperature reduces by ≥ 20 °C)	6±2 °C	110±10 °C	Min. ±8 °C Max. ±4 °C	C-2 16(4)A 240Vac C-1 0.5A 240Vac	16(4)A 240Vac 6(1)A 400Vac

Wiring Diagram



Terminals:

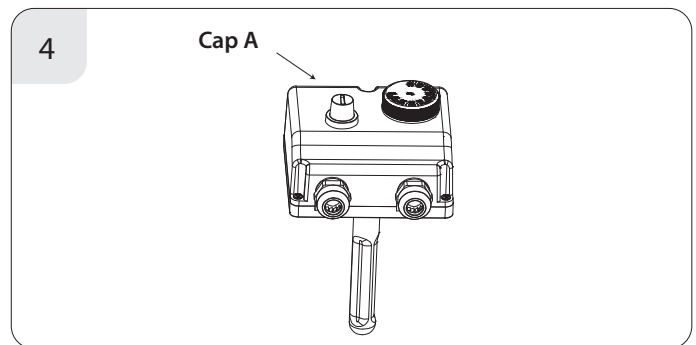
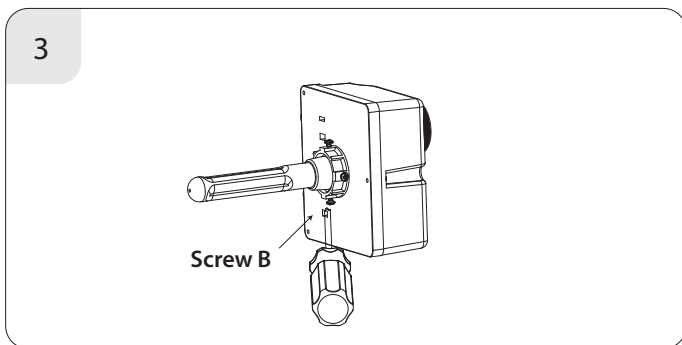
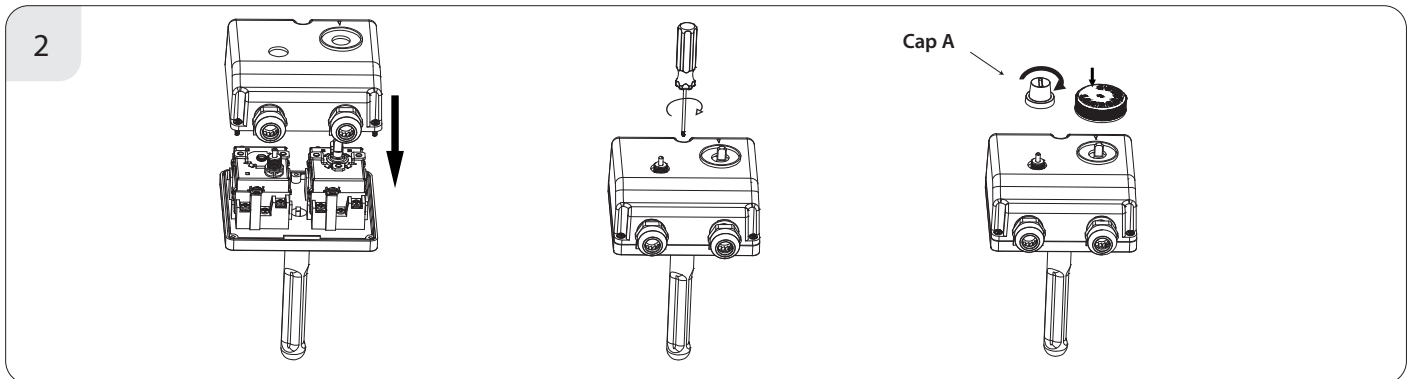
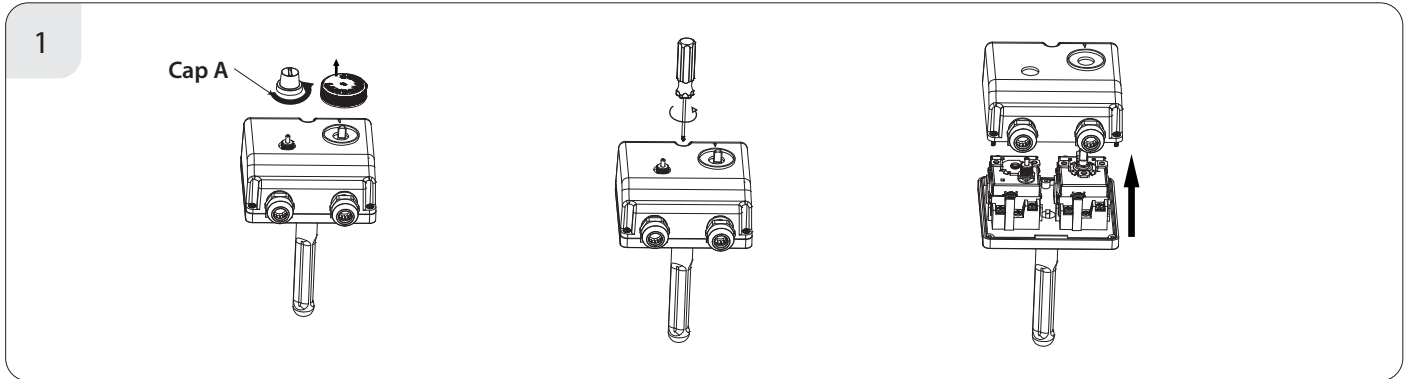
- 1... Opens the circuit when temperature increases
- 2 ... Closes the circuit when temperature increases
- C ... Common

----- It is necessary to insert a link from terminal 2 to terminal C as shown above.

This thermostat can be installed in the following ways: **1.** Mounted in a cylinder **2.** Mounted in a boiler.

Installation Instructions

1. Unscrew the three fixing screws and the manual reset cap A. Remove the external setpoint adjuster from the thermostat. Remove the cover of the thermostat. Carry out the electrical installation according to the wiring diagram on page 1.
2. Replace the cover of the thermostat. Replace the external setpoint adjuster and the manual reset cap A.
3. After inserting the bulbs into the pocket, fix the pocket to the thermostat by tightening screw B.
4. In order to reset the thermostat, unscrew the cap A and push the reset button.



Drawing and Dimension

