

Contents

1. Factory default settings
2. Specification & wiring
3. Mounting
4. Installation
5. Button / symbol description
6. Resetting the thermostat
7. On / Off function
8. Lock function
9. To connect the RFRB thermostat to the R_7-RF programmer
10. To disconnect the RFRB thermostat from the R_7-RF programmer



Important: Keep this document

Prior to setting the thermostat, it is necessary to complete all required settings described in this section.



CAUTION!

Before commencing any work on the electrical connections, you must first disconnect the device from the mains. None of the 230V connections must be live until the installation has been completed and the housing is closed. Only qualified electricians or authorised service staff are permitted to open the terminal box.

There are parts that carry mains voltage behind the cover. The terminal box must not be left unsupervised when open. (Prevent non specialists and especially children from gaining access to it.)

Ensure that this wireless enabled programmer is installed 1 Metre from any metallic object, television, radio or wireless internet transmitter.

1. Factory default settings



Temperature indicator:	°C
Switching differential:	0.2°C
In built frost protection:	5°C
Keypad lock:	Off

2. Specifications & wiring

Power Supply:	2 x AAA Alkaline Battery
Power consumption:	50 uA
Battery replacement:	Once per year
Temp. Control Range:	5...35°C
Dimensions:	84 * 84 * 30mm
Temp. sensor:	NTC 10K Ohm @ 25°C
Temp. indication:	°C

3. Mounting

The mounting height should be 1.5 meters above the floor level. The thermostat should be wall mounted in the room where the heating is to be controlled.

The place of installation should be chosen so that the sensor can measure the room temperature as accurately as possible.

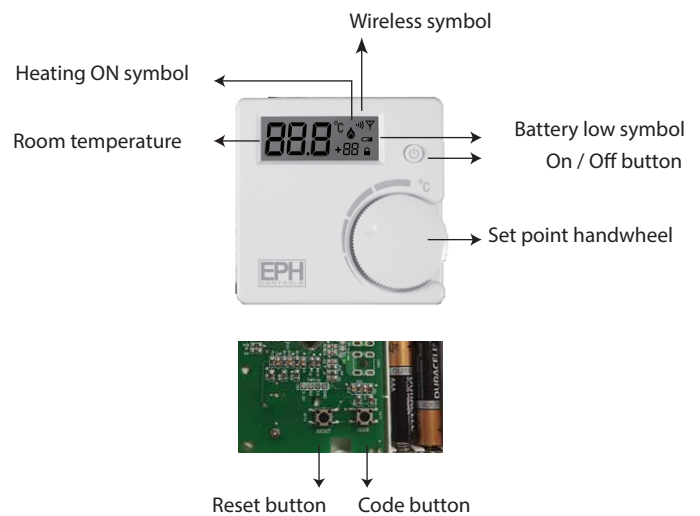
Choose the mounting location to prevent direct exposure to sunlight or other heating / cooling sources when mounted.

- The unit can be fitted to:
1. Recessed conduit boxes
 2. Surface mounting boxes
 3. Directly on walls
 4. Table mounting with stand provided

4. Installation

- Press the button on the bottom of the thermostat.
- The front housing will detach from the baseplate.
- Insert the batteries (provided) into the thermostat.
- Mount the unit as described in section 3.
- Offer the baseplate up to the thermostat. Snap it into position to close.

5. Button / symbol description



6. Resetting the thermostat

Press the button on the bottom of the thermostat, the front housing will detach from the baseplate.

Insert the batteries into the thermostat.

Press the reset button on the PCB, 'NO' will flash on the screen.

Rotate the hand wheel clockwise until 'YES' appears on the screen.

Press the hand wheel once to confirm the setting.

The thermostat has now been reset and the current temperature will appear on the screen.

7. On / Off function

Press the On/Off button to turn the zone paired with the thermostat on or off.

The paired zone of the programmer must be in the following states for this function to operate:

- In permanently ON mode
- In Allday mode and zone in ON
- In Auto mode and zone is ON

If the zone is timed off or in permanently OFF mode the On/Off button on the thermostat will not operate

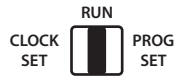
8. Lock function


To lock the thermostat, press the hand wheel for 10 seconds. The lock symbol will appear on the screen.

To unlock the thermostat, press the hand wheel for 10 seconds. The lock symbol will disappear from the screen.


9. To connect the RF thermostat with the programmer

Lower the cover on the front of the timeswitch / programmer. Move the selector switch to the RUN position.



On the timeswitch / programmer, press the  button for 5 seconds. Wireless Connect will appear on the screen.

On the RFRB wireless room thermostat, press the Code button. This is located inside the housing on the Printed Circuit Board.

On the timeswitch / programmer, the available zones will begin to flash. Press the  button for the zone you wish to connect the thermostat to.

The wireless symbol  appears on the screen.


The thermostat will count from 1-3 and then display **r1** if connected to Zone 1, **r2** if connected to Zone 2 and so on. Following this press the handwheel to confirm.

The timeswitch / programmer is now operating in the wireless mode. The temperature of the wireless thermostat is now displayed on the programmer. Repeat this process for the second, third and fourth zone if required.


10. To disconnect the RF thermostat from the programmer

Lower the cover on the front of the timeswitch / programmer. Move the selector switch to the RUN position.



On the timeswitch / programmer, press the  button for 5 seconds.

This will take you into the Wireless Connect screen.

Press the  button for 3 seconds.

This will clear all RF connections thereby disconnecting all thermostats from the timeswitch / programmer.

Press the  button.