

**CAUTION!** Installation and connection should only be carried out by a qualified person and in accordance with national wiring regulations.

- Before commencing any work on the electrical connections, you must first disconnect the thermostat from the mains.
- None of the 230V connections must be live until the installation has been completed and the housing is closed.
- If the thermostat is used in a way not specified by the manufacturer, its safety may be impaired.
- Verify that the thermostats technical data (Power supply, Contact rating, etc. ) are suitable to the installation conditions.

*Important: Keep this document*



WRP-IM

WRP-IM-TP



### Technical Data

PRODUCT CODE	PRODUCT NAME	SETPOINT ADJUSTMENT	SWITCHING DIFFERENTIAL	TOLERANCE	TEMP. ACCURACY	CORD FOR CYLINDER MOUNTING	IP RATING
WRP-IM	Immersion Thermostat	External	5±2°C	70±5°C		-	IP40
WRP-IM-TP	Immersion Thermostat Tamperproof	Internal	4±2°C	80±5°C		Yes	IP40

SENSORY TYPE	TEMPERATURE RANGE	CONTACT	CONTACT RATING	AMBIENT TEMPERATURE	MAX.PERMISSIBLE TEMP. OF HOUSING	MAX.PERMISSIBLE TEMP. OF SENSOR	PROTECTION CLASS
Gas filled	0-90°C	SPDT	16(4)A 250Vac	0 ... 55°C	80°C	110°C	II (IEC 60536)

### Operation

The WRP-IM / WRP-IM-TP are water temperature thermostats used for controlling the temperature of liquids in cylinders, tanks and pipework.

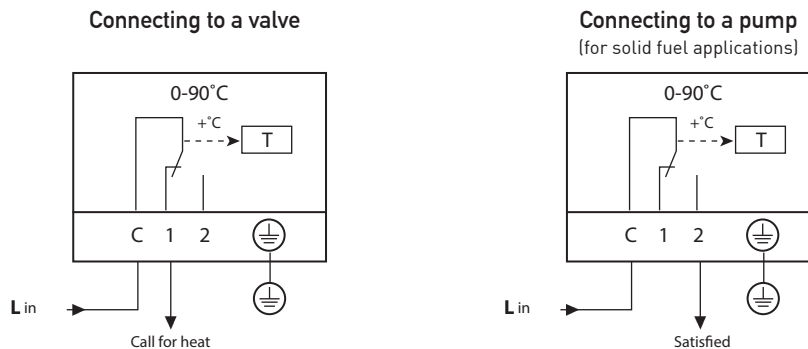
They are designed for immersion mounting and can be fixed to pipework or cylinders by fitting the capillary to a protective pocket and screwing the thermostat in place.

The required temperature can be set by rotating the external setpoint knob on the WRP-IM.

The required temperature can be set by rotating the internal setpoint knob on the WRP-IM-TP.

The Common terminal is terminal C. When the thermostat is calling for heat Terminals C & 1 are closed. When the thermostat is satisfied Terminals C & 2 are closed.

### Wiring diagram



#### Terminals:

1 = Opens the circuit when temperature increases

2 = Closes the circuit when temperature increases

C = Common contact

# WRP- IM Immersion Thermostat

## Datasheet

Important: Keep this document

This thermostat can be installed in the following ways:

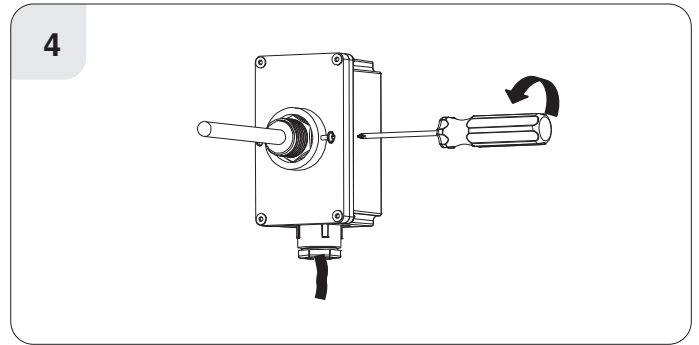
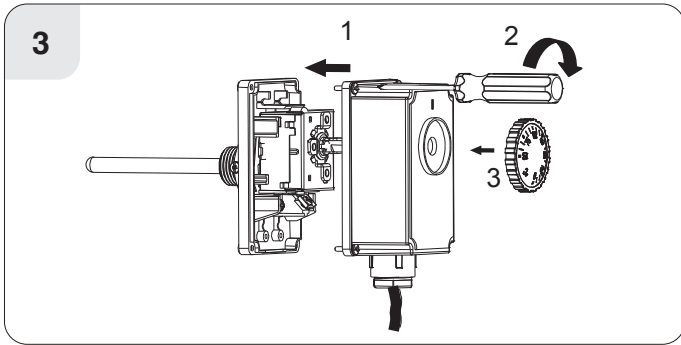
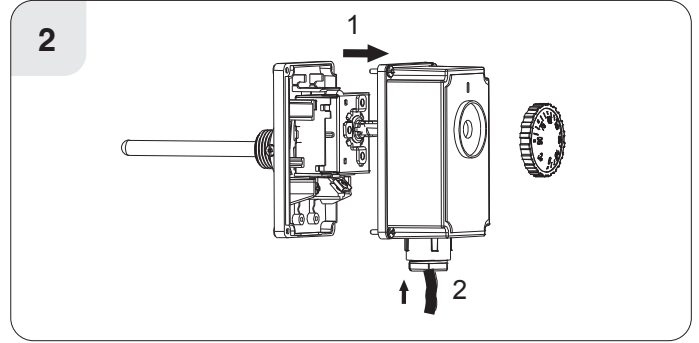
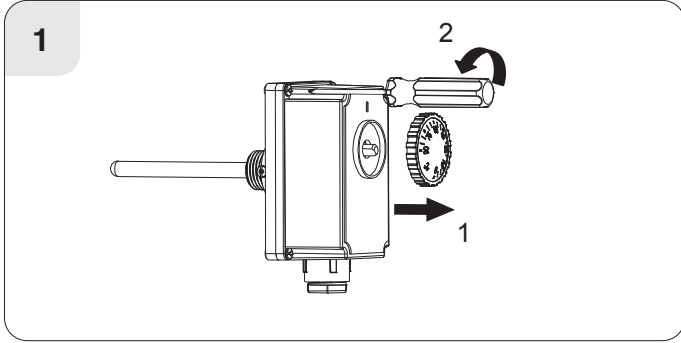
1. Mounted on pipe work.
2. Mounted on a cylinder.

### Installation

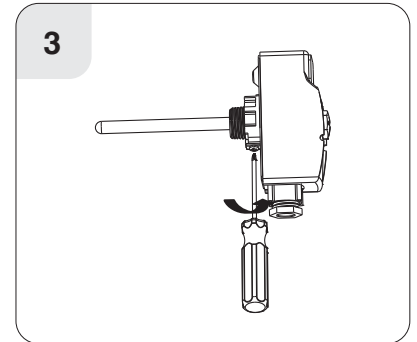
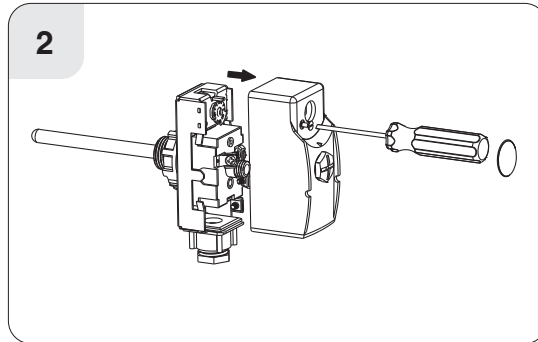
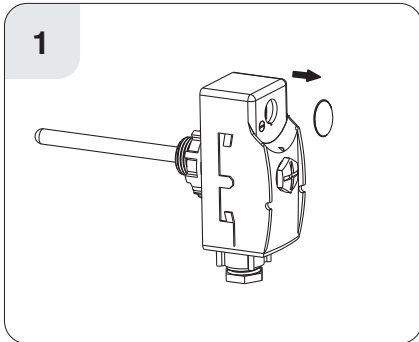
#### Cylinder

To ensure accurate control of your cylinder, the thermostat should be mounted on the bottom 1/3 of the cylinder. It is essential that the sensing element is in direct contact with the cylinder and that there is no insulation between it and the cylinder. The thermostat can be fixed using the provided cord. Heat conducting paste should be used.

#### WRP-IM



#### WRP-IM-TP



### Drawing and Dimension

