



CAUTION! Do not use if cable is defective.

- Disconnect the power supply from any defective appliances.
- Factory setting is (NC) Normally Closed
- Guidelines for the electrician; Level of contamination 2; As per EN60730
- When changing from normally closed to normally open, live components are exposed. Therefore, disconnect the power when changing.

1

Class II
EN 61000-4-5

50 122
°C °F
-5 -23

2

IP 44
EN60529

90°

IP 42
EN60529

3

4

4.5

3

1

2

5

TA230 - 230Vac
TA24 - 24Vac

24V~

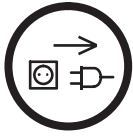
br bl

blue brown

bl br

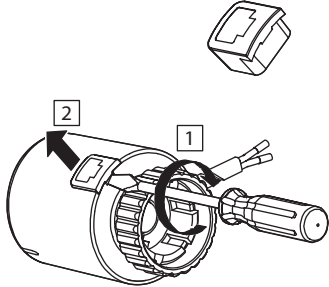
	TA230	TA24
Voltage	230 V~	24 V~
Running time	3,5 min.	4,5 min.
Stroke	3,5 mm	3,5 mm
Spring pressure	125 N	125 N
Power consumption	2,5 W	3 W
Inrush current	<550 mA for max. 100ms	<300 mA for max. 2min.

6

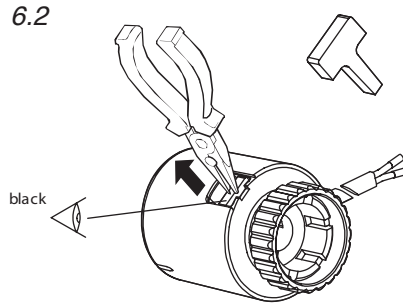


To set to (NO) Normally Open

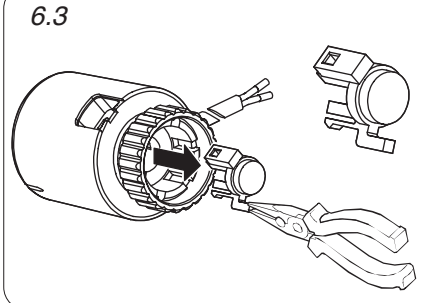
6.1



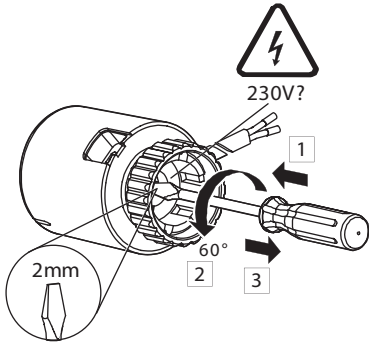
6.2



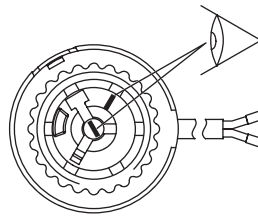
6.3



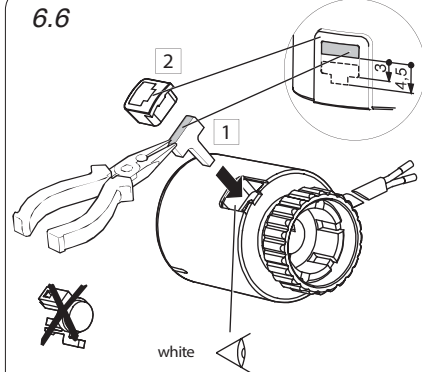
6.4



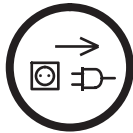
6.5



6.6

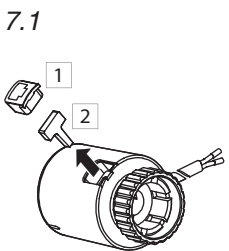


7

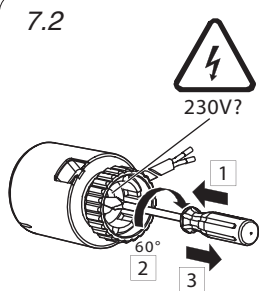


To reset to (NC) Normally Closed

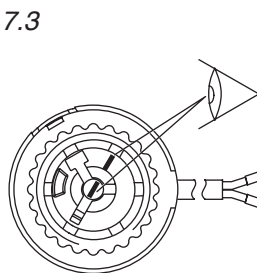
7.1



7.2



7.3



7.4

