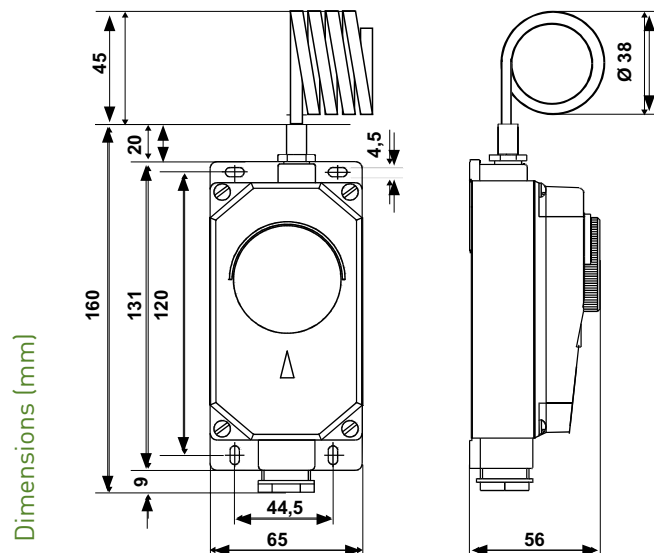


C10..Y

Thermostats with spiral capillary for industrial ambients, IP65

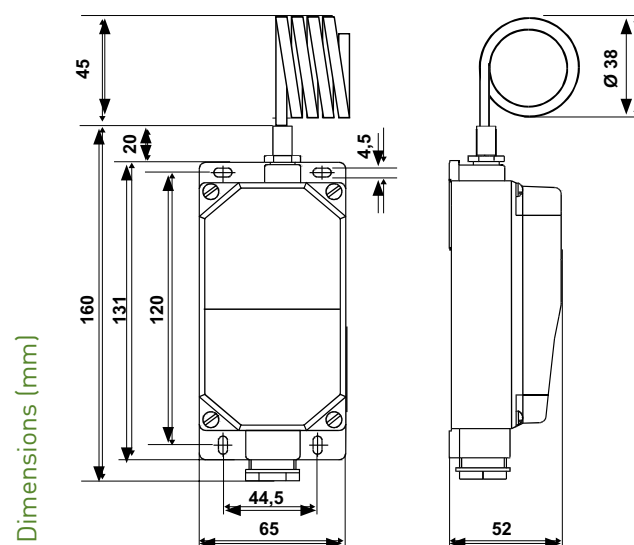


Thermostat suitable to control the temperature in industrial warehouses, in refrigerating rooms, in plants ripening systems, in greenhouses, in industrial control cabinets.



	Temperature range °C	Differential K	Calibration accuracy °C	Admissible body temperature °C	Maximum bulb temperature °C	Protection level
C10A2Y	0 ÷ 60	2 ± 0,5	± 2	80	80	IP65
C10B2Y	- 20 ÷ 40	2 ± 0,5	± 2	60	60	IP65
C10C2Y	- 35 ÷ 20	2 ± 0,5	± 2	50	50	IP65

WATERPROOF EXECUTION IP65 WITH INTERNAL REGULATION



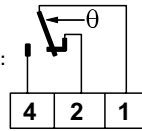
C10A2RIY	0 ÷ 60	2 ± 0,5	± 2	80	80	IP65
C10B2RIY	- 20 ÷ 40	2 ± 0,5	± 2	60	60	IP65
C10C2RIY	- 35 ÷ 20	2 ± 0,5	± 2	50	50	IP65

*The differential is subtracted from the range value. The differential values refer to a thermal gradient of 4K/hour in air.

ELECTRICAL FEATURES

Two directions microswitch of instant action with AGcdO contacts.

Contact parameters in compliance with EN 60730-1: 15(6)A 250V~ 50Hz.

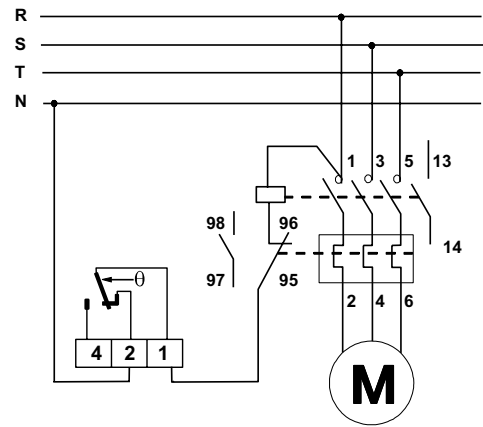


Parameters in compliance with EN 60947-5-1:

Nominal insulation voltage: U_i 380V~.

Nominal continuous current: I_{th} 15A.

Nominal operating current I_e :	220V~	250V~	380V~
Resistive load	AC-12	15A	10A
Inductive load	AC-15	2,5A	1,5A
Direct current	DC-13	0,2A	-



STANDARDS AND CERTIFICATES

Compliance with standards EN 60947-5-1, EN 60730-1.

INSTALLATION

Wall mounting.

OPERATION

When the temperature increases: 1-2 are opening, 1-4 are closing.

Liquid expansion function. The ambient temperature is determined by the spiral capillary.

FEATURES

Sensing element with stainless steel diaphragm.

Tinned copper spiral capillary.

Base, cover and knob in shock-proof self-extinguishing thermoplastic material V0.

Electrical connection output with Gc 1/2 cable gland.

The storage and transport temperature depends of thermostat type.

Unit weight: 0,16 Kg.

EXECUTION UPON REQUEST WITH FIXED CALIBRATION

Code C10A2TF xxx Example: C10A2TF 35 (with fixed calibration 35°C)



Calibration value

Calibration value must be between 20 ÷ 80°C.

EXECUTION UPON REQUEST WITH SPECIAL TEMPERATURE RANGE

Code C10A2 xx - yy xx= minimal range value
yy= maximal range value

Example: C10A2 20-80 [adjustable value 20 ÷ 80°C]

Temperature (1)	Scale (*)
range °C	angle °C
C10A2 xx yy - 35 ÷ 60	60
C10C2 xx yy - 35 ÷ 60	55

Note: Special temperature range is chosen in the range of temperature (1) and must always exceed the set value "scale angle" (*).

Example: - 20 ÷ 40°C
- 10 ÷ 50°C
- 15 ÷ 40°C