

# CR221PURF / CR222PURF / CR228PURF S Plan Wireless Pack

## Wiring Diagram

### Components:

- 1 x 2 Channel Wireless Programmer
- 1 x 2 Port Motorised Valve
- 1 x Wireless Room Thermostat
- 1 x Wiring Centre



**CAUTION!**

Consult the boiler installation instructions before wiring!

Boiler manufacturers wiring schematics may vary:

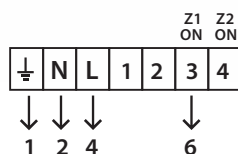
- A permanent power supply may be required
- An overrun function may be required
- A volt-free signal from the motorised valves limit switches may be required

#### SPUR FUSED @ 3A



#### R27-RF

Wireless Programmer



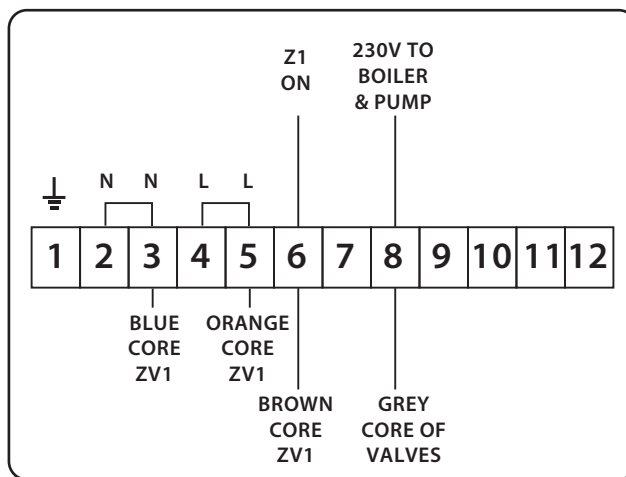
#### RFR

Room Thermostat

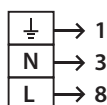


#### HEATING VALVE (ZV1)

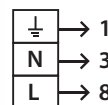
- 6 ←  BROWN
- 3 ←  BLUE
- 5 ←  ORANGE
- 8 ←  GREY
- 1 ←  EARTH



#### WIRING CENTRE



**BOILER**



**PUMP**



EPH Controls Ireland

sales@ephcontrols.com www.ephcontrols.com

EPH Controls UK

sales@ephcontrols.co.uk www.ephcontrols.co.uk