

CR21P / CR22P / CR28P Y Plan Hardwired Pack

Wiring Diagram

Components:

- 1 x 2 Channel Programmer
- 1 x 3 Port Motorised Valve
- 1 x Pipe / Cylinder Thermostat
- 1 x Room Thermostat
- 1 x Wiring Centre



CAUTION!

Consult the boiler installation instructions before wiring!

Boiler manufacturers wiring schematics may vary:

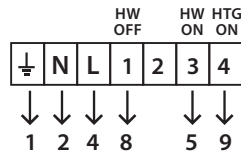
- A permanent power supply may be required
- An overrun function may be required
- A volt-free signal from the motorised valves limit switches may be required

SPUR FUSED @ 3A



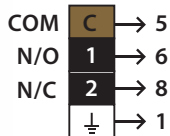
R27-HW

Programmer



WRP

Pipe / Cylinder Thermostat

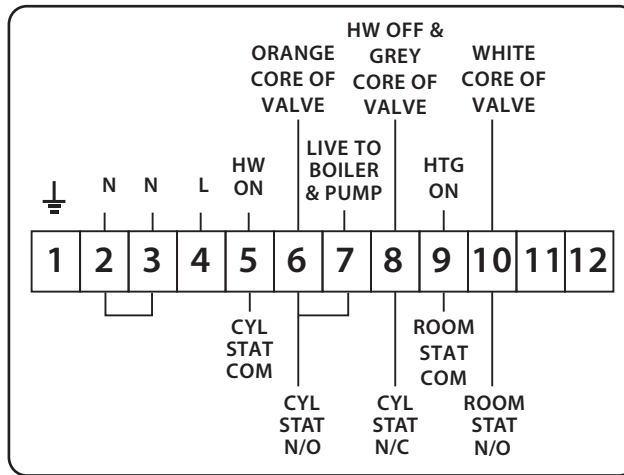


MOTORIZED VALVE

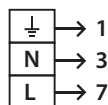


CM2

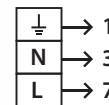
Room Thermostat



WIRING CENTRE



BOILER



PUMP



EPH Controls Ireland

technical@ephcontrols.com www.ephcontrols.com

EPH Controls UK

technical@ephcontrols.co.uk www.ephcontrols.co.uk