

# CR21P / CR22P / CR28P Y Plan Hardwired Pack

## Wiring Diagram

### Components:

- 1 x 2 Channel Programmer
- 1 x 3 Port Motorised Valve
- 1 x Pipe / Cylinder Thermostat
- 1 x Room Thermostat
- 1 x Wiring Centre



**CAUTION!**

Consult the boiler installation instructions before wiring!

Boiler manufacturers wiring schematics may vary:

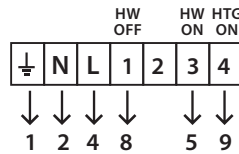
- A permanent power supply may be required
- An overrun function may be required
- A volt-free signal from the motorised valves limit switches may be required

#### SPUR FUSED @ 3A



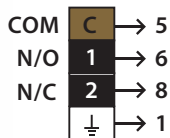
#### R27<sup>v2</sup>

Programmer



#### WRP

Pipe / Cylinder Thermostat

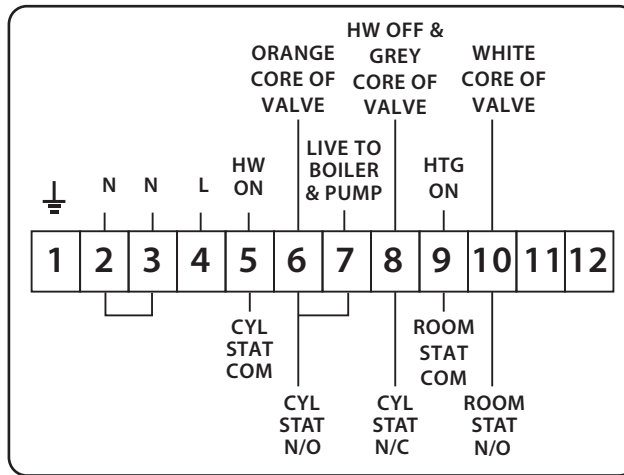


#### MOTORIZED VALVE

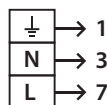


#### CM2

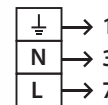
Room Thermostat



#### WIRING CENTRE



BOILER



PUMP



EPH Controls Ireland

021 471 8440  
technical@ephcontrols.com

Cork, T12 W665  
www.ephcontrols.com

EPH Controls UK

01933 322 072  
technical@ephcontrols.co.uk

Harrow, HA1 1BD  
www.ephcontrols.co.uk