

CAUTION! Installation and connection should only be carried out by a qualified person and in accordance with national wiring regulations.

- Before commencing any work on the electrical connections, you must first disconnect the programmer from the mains. None of the 230V connections must be live until the installation has been completed and the housing is closed. Only qualified electricians or authorised service staff are permitted to open the programmer. Disconnect from mains supply in the event of any damage to any buttons.
- There are parts that carry mains voltage behind the cover. The programmer must not be left unsupervised when open. (Prevent non specialists and especially children from gaining access to it.)
- If the programmer is used in a way not specified by the manufacturer, its safety may be impaired.
- Ensure that this wireless enabled programmer is installed 1 metre from any metallic object, television, radio or wireless internet transmitter.
- Prior to setting the programmer, it is necessary to complete all required settings described in this section.
- Never remove this product from the electrical baseplate. Do not use sharp tools to push any button.

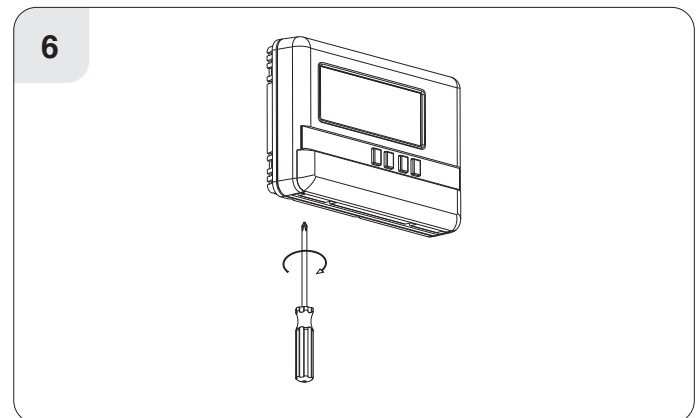
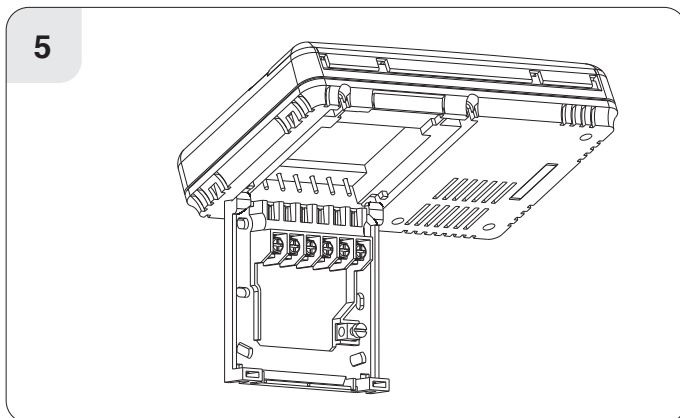
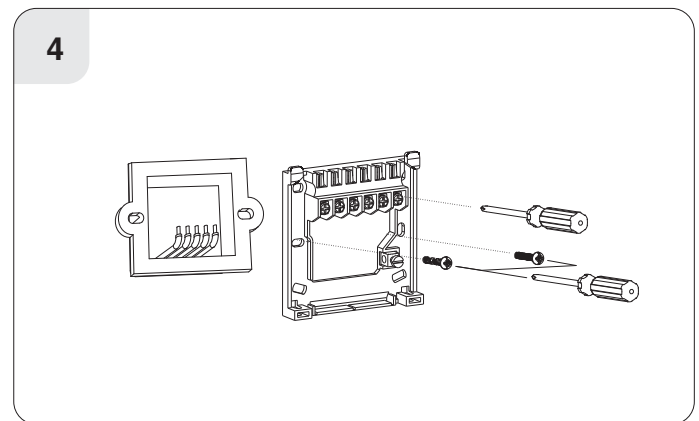
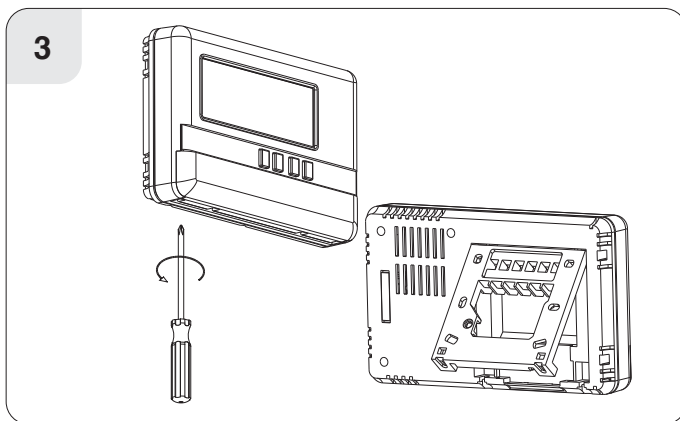
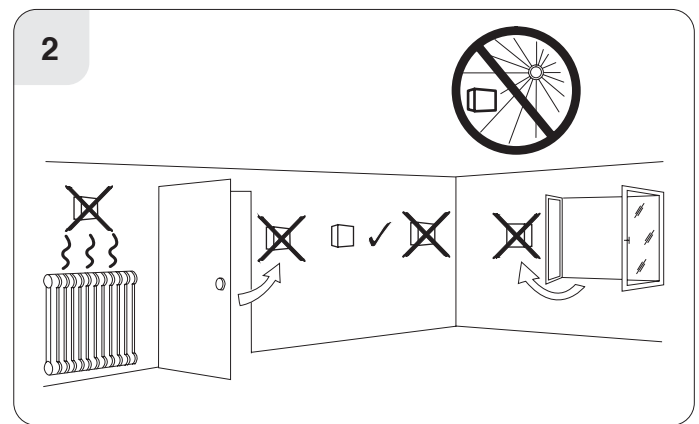
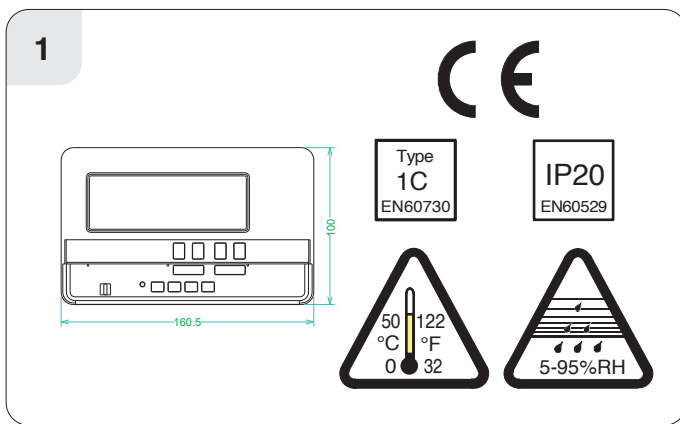


Important: Keep this document

This 2 zone RF programmer is designed to provide ON/OFF control for 2 zones, with the value added application of in built frost protection.



This programmer can be mounted in the following ways: 1. Directly wall mounted 2. Mounted to a recessed conduit box



Contents



1. Factory default settings
2. Specifications & wiring
3. Setting the date & time
4. Frost protection
5. Master reset

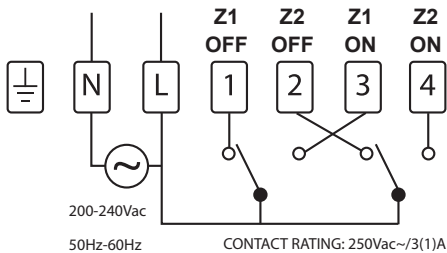
1. Factory default settings



Contacts:	230 Volt
Program:	5/2D
Backlight:	On
Keypad:	Unlocked
Frost Protection:	Off
Clock type:	24 Hr Clock
Day-Light Saving	

2. Specifications & wiring

Power Supply:	230 Vac
Ambient Temp:	0~35°C
Contact Rating:	250 Vac 3A(1A)
Program Memory backup:	1 year
Battery:	3Vdc Lithium LIR 2032
Backlight:	Blue
IP rating:	IP20
Backplate:	British System Standard
Pollution degree 2:	Resistance to voltage surge 2000V as per EN 60730
Automatic Action:	Type 1.5
Software:	Class A



If mains voltage output is required, terminals L & 1 must be electrically linked. The cable link is provided with this programmer.

3. Setting the date and time



Lower the cover on the front of the programmer. Move the selector switch to the **CLOCK SET** position.

- Press the **+** or **-** buttons to select the day. Press **OK**
- Press the **+** or **-** buttons to select the month. Press **OK**
- Press the **+** or **-** buttons to select the year. Press **OK**
- Press the **+** or **-** buttons to select the hour. Press **OK**
- Press the **+** or **-** buttons to select the minute. Press **OK**
- Press the **+** or **-** buttons to select 5/2D, 7D or 24H. Press **OK**

The date, time and function are now set. Move the selector switch to the **RUN** position to run the program, or to the **PROG SET** position to change the program setting.

4. Frost protection function



Off

Selectable range 5~20°C

This function is set to protect pipes against freezing or to prevent low room temperature when the programmer is programmed to be OFF or is manually OFF.

Frost protection can be activated by following the procedure below.

Move the selector switch to the **RUN** position.

- Press both the **+** and **-** buttons for 5 seconds, to enter selection mode.
- Press either the **+** or **-** buttons to turn **On** or turn **Off** frost protection.
- Press **OK** button to confirm
- Press either the **+** or **-** buttons to increase or decrease the desired frost protection setpoint.
- Press **OK** to select.

All zones will be switched ON in the event of room temperature falling below the frost protection setpoint.

5. Master reset

Lower the cover on the front of the programmer. There are four hinges holding the cover in place.

Between the 3rd and 4th hinges there is a circular hole. Insert a ball point pen or similar object to master reset the programmer.

After pressing the master reset button, the date and time will now need to be reprogrammed.