

AXM 217: Motorised actuator for unit valves

How energy efficiency is improved

Reliable actuation in efficient control systems

Features

- Reliable actuation in efficient control systems
- For 2-point or 3-point controllers in conjunction with single-room control systems
- Stepping motor with electronic activation and cut-out
- Attached to valve with M30 × 1.5 thread
- Maintenance-free gear unit
- Suitable for retrofitting existing installations using the appropriate adapters
- Operating status indicated by integrated LED
- Fitting position vertically upright to horizontal, not suspended



AXM217F20



Technical data

Parameters

Nominal stroke	6.3 mm
Running time	13 s/mm
Actuating power ¹⁾	120 N
Sound pressure level	< 30 dB (A)

Ambient conditions

Max. operating temperature at valve	90 °C
Admissible ambient temperature	0...50 °C
Admissible ambient humidity	< 75% rh

Construction

Weight	0.15 kg
Housing	Two piece, light grey (RAL 7035)
Housing material	Plastic
Thread	Nickel-plated brass M30 × 1.5
Power cable	1.50 m long, 3 × 0,5 mm ² , light grey, insertable

Standards and directives

Type of protection	IP43 (EN 60529)
EMC Directive 2014/30/EU	CE as per EN 61000-6-1, EN 61000-6-2, EN 61000-6-3, EN 61000-6-4
Low-Voltage Directive 2014/35/EU	CE as per EN 60730-1 and EN 60730-2-14

Overview of types

Type	Power supply	Power consumption	Protection class
AXM217F200	230 V~, ±10%, 50...60 Hz	6.5 VA, 2 W	II (IEC 60730)
AXM217F202	24 V=/~, ±15%, (50...60 Hz)	2.5 VA, 1.5 W	III (IEC 60730)

⚡ AXM217F202: Voltage 24V= with relay circuit only

Accessories

Type	Description
0550603001	Cable: 24 V, PVC, pluggable, 3 m long
0550603002	Cable: 24 V, PVC, pluggable, 7 m long
0550603003	Cable: 230 V, PVC, pluggable, 3 m long
0550603004	Cable: 230 V, PVC, pluggable, 7 m long
0550603005	Cable: 24 V, halogen-free, pluggable, 3 m long
0550603006	Cable: 24 V, halogen-free, pluggable, 7 m long
0550603007	Cable: 230 V, halogen-free, pluggable, 3 m long

¹⁾ Actuating power min. 100 N, max. 150 N



Type	Description
0550603008	Cable: 230 V, halogen-free, pluggable, 7 m long
0371235001	Adaptor for fitting to Oventrop valves (M30 × 1)
0371356001	Adaptor for fitting to Beulco or Tobler underfloor-heating distributors (M30 × 1)
0550393002	Adapter for fitting to Danfoss valves, type RAVL, 26 mm
0550393003	Adapter for fitting to Danfoss valves, type RAV, 34 mm
0550393004	Adapter for fitting to Danfoss valves, type RA 2000, 22 mm
0371361001	Adapter for fitting to Herz valves, type Herz-TS'90 (M28 × 1.5)
0371363001	Adapter for fitting to Tour & Andersson valves, type TA/RVT (M28 × 1.5)

Description of operation

The motor is moved in the relevant direction of rotation by an OPEN or CLOSE command. In the two end positions or in the event of an overload, the motor cuts out after max. 2 minutes. When power is continuously applied, a complete cycle is executed every 24 hours in order to prevent the valve plug from jamming or sticking. The LED lights up when the actuator is powered and flashes as long as the motor is running.

When power is applied to cable 02, the actuator spindle moves out:

This means that the VXL, VUL, VCL, VDL 2-way valves and the BUL 3-way valve (control passage) close, and the BXL 3-way valve (control passage) opens.

When power is applied to cable 03, the actuator spindle moves in:

This means that the VXL, VUL, VCL, VDL 2-way valves and the BUL 3-way valve (control passage) open, and the BXL 3-way valve (control passage) closes.

Actuation of 2-way and 3-way unit valves of the VUL, BUL, VXL, BXL, VCL and VDL series. For 2-/3-point controllers in conjunction with single-room control systems.

LED status indicator

Status	Description
OFF	No power applied
Flashing green	Actuator moving to position or "end position reached"
Continuous green light	Position reached

Intended use

This product is only suitable for the purpose intended by the manufacturer, as described in the "Description of operation" section.

All related product regulations must also be adhered to. Changing or converting the product is not admissible.

Engineering and fitting notes

Do not use tools to fit the actuator to the valve. In the event of a power failure, the valve can be opened by taking off the actuator. When connecting or changing the power cables, the mains power must be switched off.

Outdoor installation

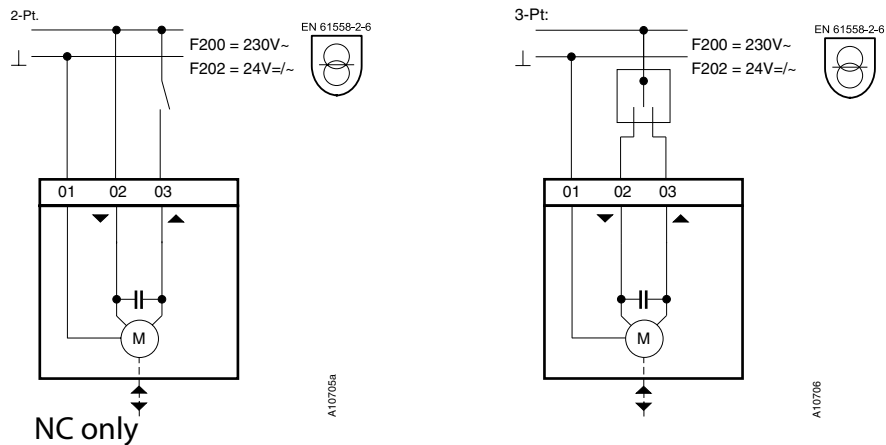
We recommend protecting the devices from the weather if they are installed outside buildings.

Disposal

When disposing of the product, observe the currently applicable local laws.

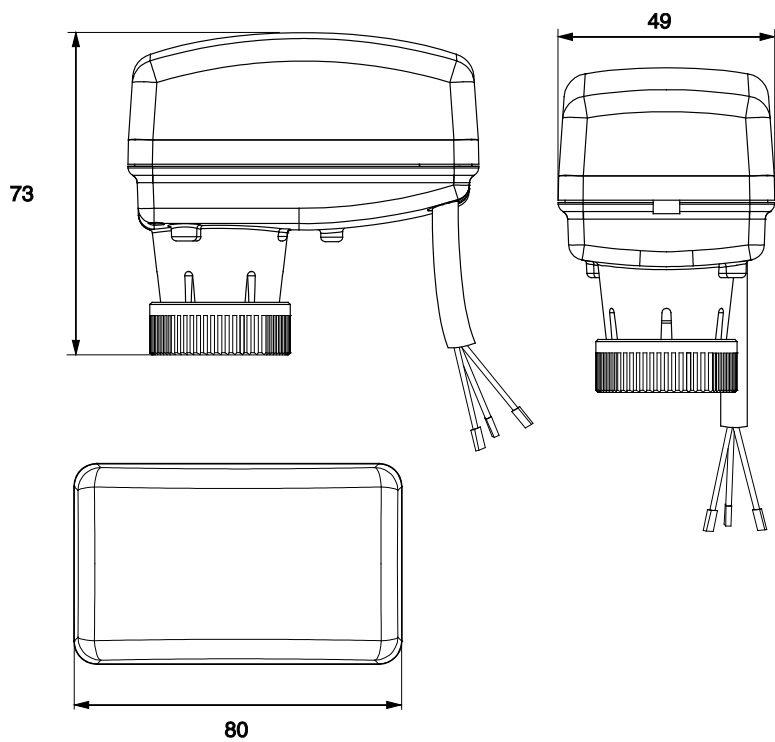
More information on materials can be found in the Declaration on materials and the environment for this product.

Connection diagram



24 V~/~		230 V~	
01	BK (black)	01	BU (blue)
02	RD (red)	02	BN (brown)
03	OR (orange)	03	OR (orange)

Dimension drawing



Fr. Sauter AG
 Im Surinam 55
 CH-4016 Basel
 Tel. +41 61 - 695 55 55
 www.sauter-controls.com