

CONTROLLERS

# CONTROLLER SERIES CRA120

ESBE series CRA120 is a combined actuator and constant flow temperature controller with adjustable temperature setting within the range of 5 – 95 °C. Recommended for valves of DN65 up to DN150, especially suited for ESBE 3-way valves series F.

### OPERATION

The ESBE series CRA120 is an actuator and controller solution, for use with mixing or diverting valves. Temperature setting is done by an easy-to-use display unit.

### MOUNTING

Power supply by 230 V AC adapter (complete with transformer and cable) or 24 V AC (cable only).

Controller unit with display included for easy mounting on wall etc, well suited for applications where the actual valve and actuator is located in a hard-to-reach position. 1.5m cable for connection to actuator included.

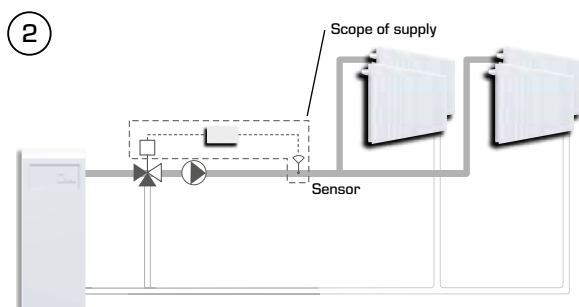
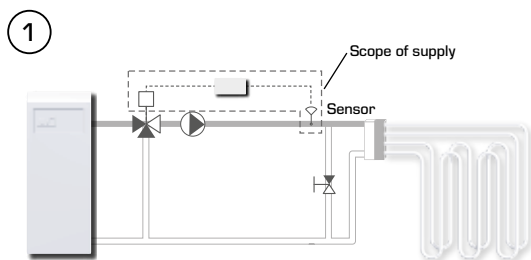
Flow pipe sensor with 1.5m cable included (longer cable available as accessory). The sensor must be carefully insulated from the ambient temperature.

The CRA120 is recommended for mounting on ESBE valves series F.

### OPTIONAL EQUIPMENT

Art. No.  
17053100 \_\_\_\_\_ CRA911 Flow pipe sensor, 5m cable  
17055900 \_\_\_\_\_ CRB915 GSM-module

### INSTALLATION EXAMPLES



CRA121/CRA122/CRA125

### SUITABLE MIXING VALVES

The controller is supplied complete with an adaptor kit for easy fitting onto an ESBE rotary mixing valve.

● Series F

### ADAPTOR KITS

Required adaptor kits for easily fitting onto an ESBE rotary mixing valve is supplied with each actuator. If required, separate adaptor kits can be ordered as follows.

Art. No.  
16053300 \_\_\_\_\_ ESBE valve series VRG, VRB  
16051300 \_\_\_\_\_ ESBE valve series MG, G, F, BIV, T, TM, H, HG

Adaptor kits for other mixing valves and valves built-into boilers are available as follows:

Art. No.  
16053500 \_\_\_\_\_ BRV  
16053900 \_\_\_\_\_ Honeywell Centra ZR, DR, DRG, DRU  
\_\_\_\_\_ (DN15–DN50)  
16051700 \_\_\_\_\_ Honeywell Centra Kompakt DRK/ZRK  
16051900 \_\_\_\_\_ CTC, linear movement  
16053600 \_\_\_\_\_ BRV, Meibes, Oventrop, Watts  
16051300 \_\_\_\_\_ Sauter MH32...H42...  
16052500 \_\_\_\_\_ Siemens VBG31, VBI31, VBF21, VCI31  
16051400 \_\_\_\_\_ TA–VTR, TA–STM  
16052600 \_\_\_\_\_ Schneider Electric/TAC-TRV  
16051500 \_\_\_\_\_ Viessmann (DN20–DN25)  
16051800 \_\_\_\_\_ WITA

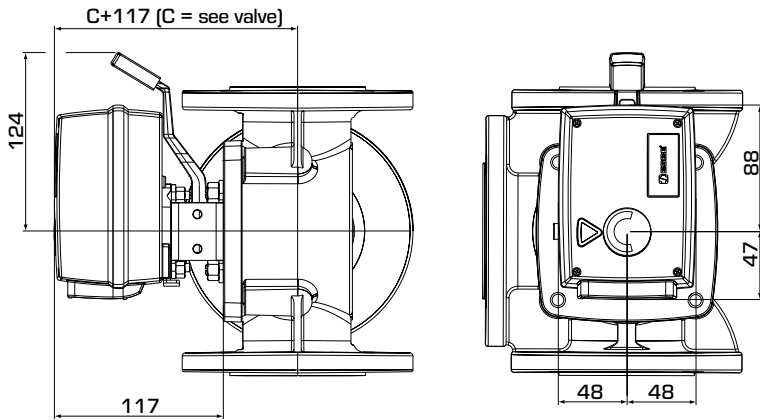
### TECHNICAL DATA

Ambient temperature: \_\_\_\_\_ max. +55°C  
\_\_\_\_\_ min. -5°C  
Temperature range:  
Flow pipe sensor \_\_\_\_\_ +5 to +95°C  
Enclosure rating - Actuator unit: \_\_\_\_\_ IP54  
- Control box: \_\_\_\_\_ IP54  
Protection class: \_\_\_\_\_ II  
Power supply: \_\_\_\_\_ 24 ± 10% V AC, 50/60 Hz  
\_\_\_\_\_ 230 ± 10% V AC, 50 Hz  
Power consumption - 24 V AC: \_\_\_\_\_ 3 VA  
- 230 V AC: \_\_\_\_\_ 10 VA  
Torque: \_\_\_\_\_ 15 Nm  
Running time at max. speed: \_\_\_\_\_ 120s  
Weight: \_\_\_\_\_ 0.9 kg

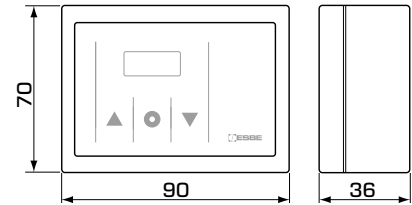
CE LVD 2014/35/EU  
EMC 2014/30/EU  
RoHS 2011/65/EU

CONTROLLERS

# CONTROLLER SERIES CRA120



Installation dimensions for Actuator Series CRA120 with ESBE series MG, G, F, T/TM, H/HG and BIV mixing valves



Installation dimensions for Control box

## SERIES CRA120

Art. No.	Reference	Voltage [V AC]	Temp. range	Torque [Nm]	Note	Replaces
12742100	CRA121	230	5-95°C	15	Transformer with UK plug	1270 0500
12742500	CRA125					12700100
12742200	CRA122	24				

## WIRING

