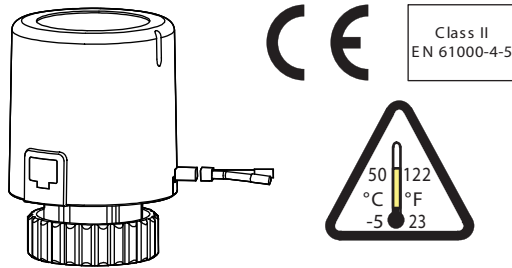


CAUTION! Do not use if cable is defective.

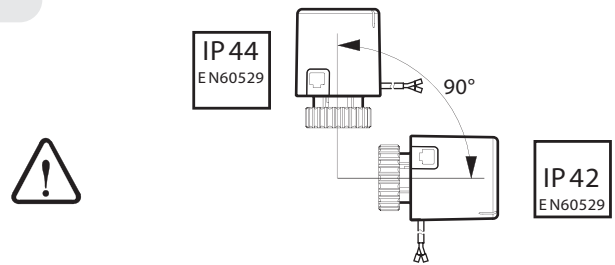
- Disconnect the power supply from any defective appliances.
- Factory setting is (NC) Normally Closed
- Guidelines for the electrician; Level of contamination 2; As per EN60730
- When changing from normally closed to normally open, live components are exposed. Therefore, disconnect the power when changing.



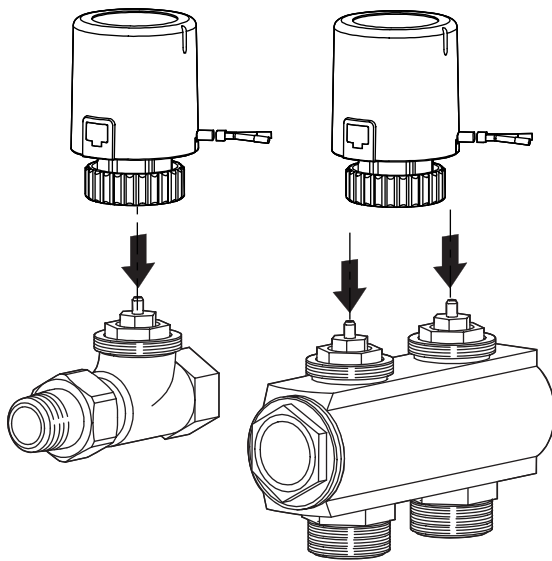
1



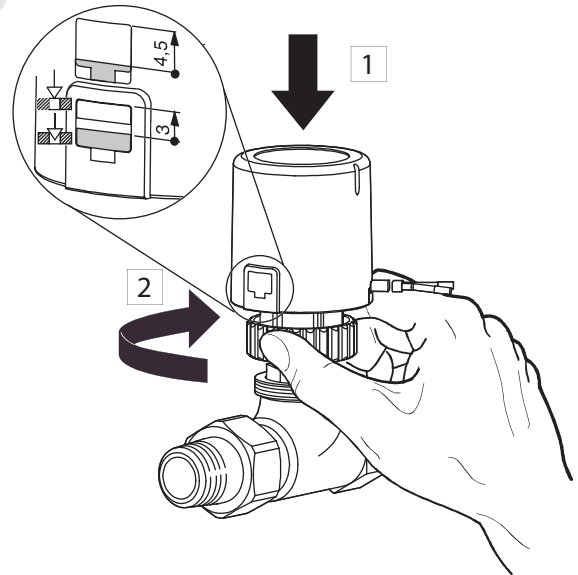
2



3

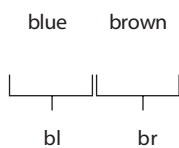
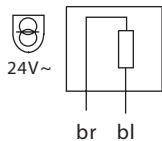


4



5

TA230 - 230Vac
TA24 - 24Vac

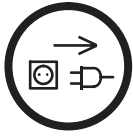


TA24 TA230

U	24 V~	230 V~
t	4,5 min.	3,5 min.
h	4,5 mm	4,5 mm
F	125 N	125 N
P	3 W	2,5 W
I max	250 mA	150 mA

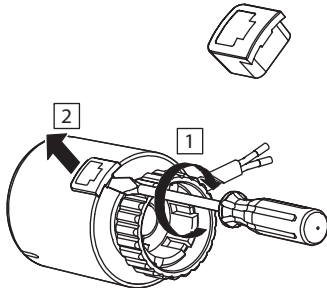
h = stroke

6

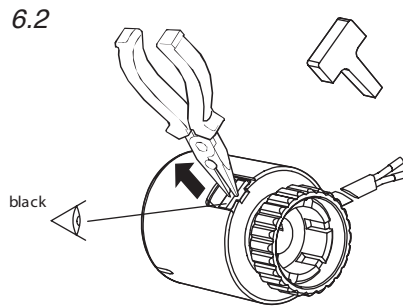


To set to (NO) Normally Open

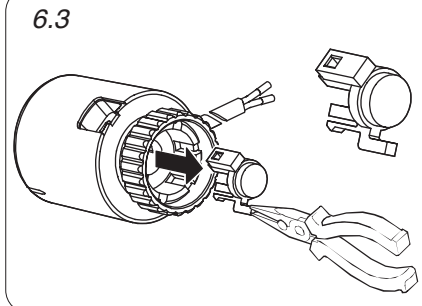
6.1



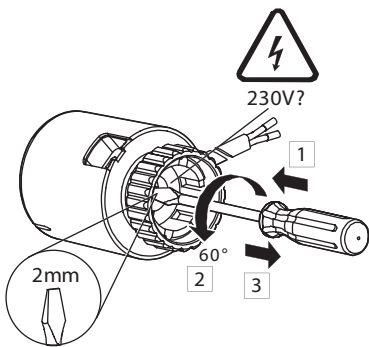
6.2



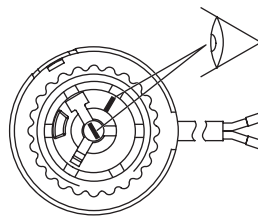
6.3



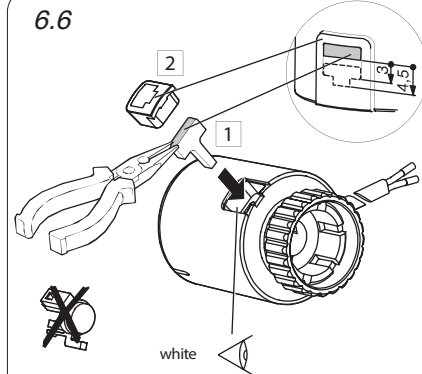
6.4



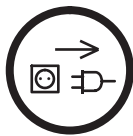
6.5



6.6

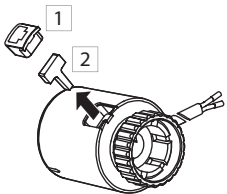


7

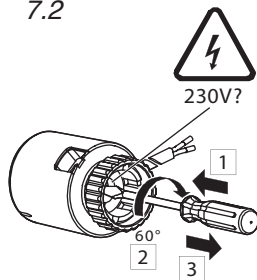


To reset to (NC) Normally Closed

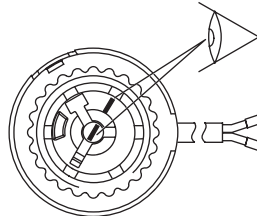
7.1



7.2



7.3



7.4

