

CP4M Room Thermostat

Hardwired Open Therm®

BOILER PLUS



Page 1 of 2

Installation Instructions

For use in normal environments.

CAUTION! Installation and connection should only be carried out by a qualified person and in accordance with national wiring regulations.

- Before commencing any work on the electrical connections, you must first disconnect the thermostat from the mains. None of the 230V connections must be live until the installation has been completed and the housing is closed. Only qualified electricians or authorised service staff are permitted to open the thermostat. Disconnect from mains supply in the event of any damage to any buttons.
- There are parts that carry mains voltage behind the cover. The thermostat must not be left unsupervised when open. (Prevent non specialists and especially children from gaining access to it.)
- If the thermostat is used in a way not specified by the manufacturer, its safety may be impaired.
- Prior to setting the thermostat, it is necessary to complete all required settings described in this section.
- Never remove this product from the electrical baseplate. Do not use sharp tools to push any button.

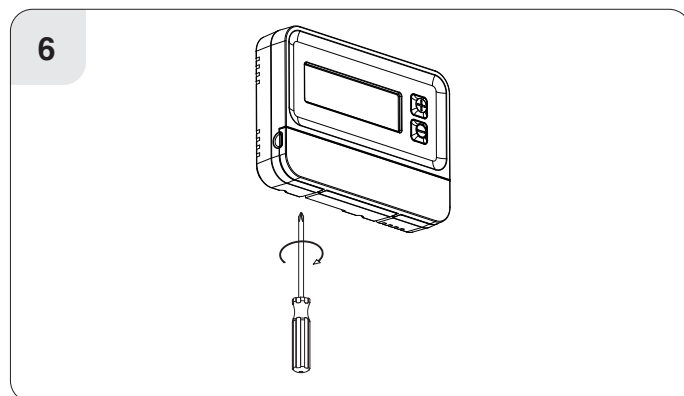
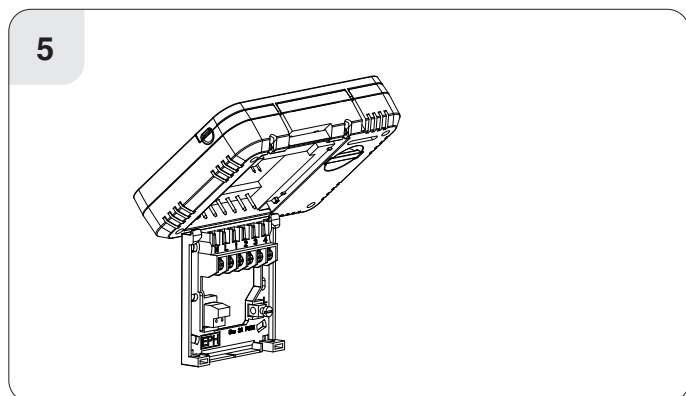
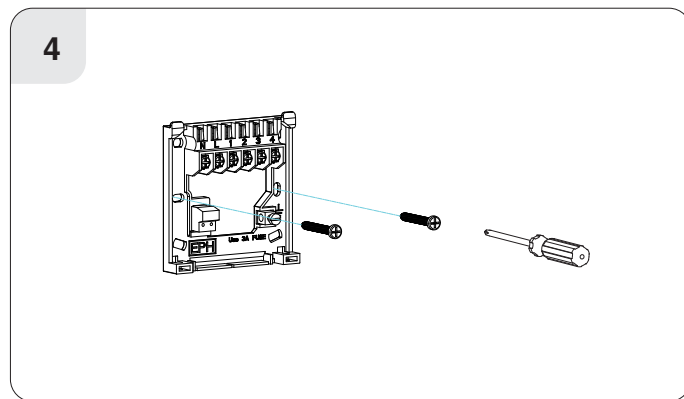
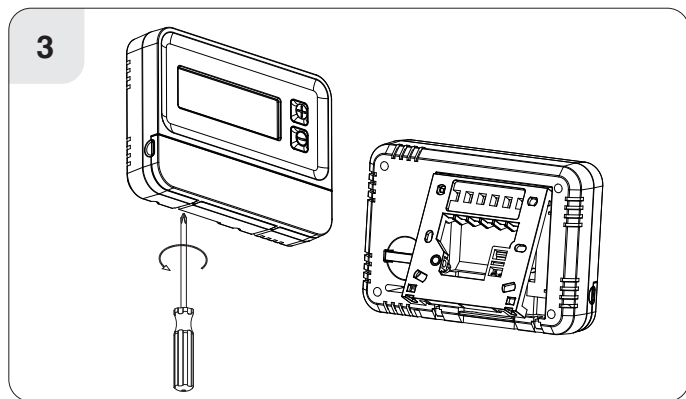
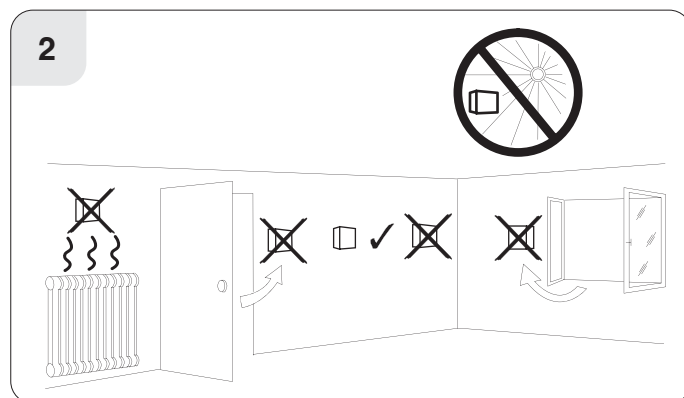
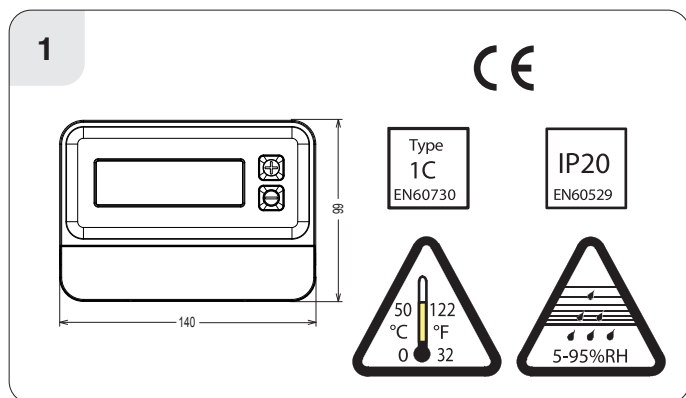


Important: Keep this document



This thermostat can be mounted in the following ways:

- 1) To a recessed conduit box
- 2) Directly wall mounted



EPH Controls Ireland

technical@ephcontrols.com www.ephcontrols.com

EPH Controls UK

technical@ephcontrols.co.uk www.ephcontrols.co.uk

Contents

1. Factory default settings
2. Specifications
3. Wiring diagram
4. Mounting



1. Factory default settings

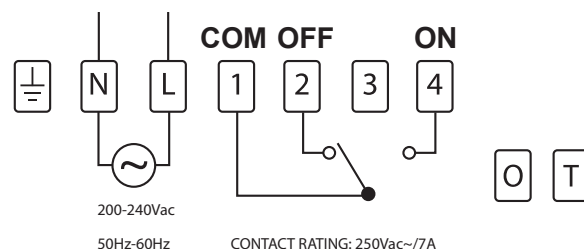


Contacts:	Volt free contact
Program:	5/2D
Backlight:	Auto
Keypad:	Unlocked
Clock type:	24 Hr Clock
Daylight saving:	On
In-built frost protection:	5°C Not adjustable

2. Specifications

Power supply:	200 - 240 Vac, 50-60 Hz
Power consumption:	630 mW
Temp. control range:	5 ... 35°C
Ambient temperature:	0~50°C
Admissible ambient humidity:	5-95 % RH
Dimensions:	140 x 99 x 30mm
Temperature sensor:	NTC 100K Ohm @ 25°C
Temperature indication:	°C
Switching differential:	0.4°C
Frost protection:	Only operational in OFF mode
Contact rating:	250 Vac 7A
Program memory backup:	3 months
Battery:	3Vdc CR2032
Backlight:	Blue
IP rating:	IP20
Backplate:	British System Standard
Pollution degree:	Pollution Degree 2
Rated impulse voltage:	2,500V as per EN 60730
Automatic action:	Type 1.C
Software:	Class A
Ball pressure test temperature:	70°C

3. Wiring diagram



If mains voltage output is required, terminals L & 1 must be electrically linked. The cable link is provided with this timeswitch.

4. Mounting

- The mounting height should be 1.5 metres above the floor level.
- The thermostat should be wall mounted in the room where the heating is to be controlled.
- The place of installation should be chosen so that the sensor can measure the room temperature as accurately as possible.
- Choose the mounting location to prevent direct exposure to sunlight or other heating / cooling sources when mounted.
- The unit can be fitted:
1. To a recessed conduit box
 2. Directly wall mounted